

HW-KB-HI Series

Industrial Baseworks



- ◆ Two capacities from which to choose - 300kg and 600kg
- ◆ Connect to any A&D digital indicator.
- ◆ National Standards Commission approval for trade for the 300kg basework allows a trade approved scale.
- ◆ Manufactured in Australia and designed to handle the every day bumps and knocks of industrial use.

...Clearly a Better Value

Features of the HW - KB-HI Series

- ◆ Weighing capacity of 300kg or 600kg
- ◆ Platform size 600mm x 700mm
- ◆ Stainless steel platform for long life
- ◆ Uses two Australian made single point loadcells
- ◆ Rugged design with overload protection
- ◆ Fabricated steel frame for strength
- ◆ Able to use with any A&D Mercury indicator
- ◆ National Standards Commission approved (300kg model)
- ◆ Adjustable levelling legs to ensure stability
- ◆ Level bubble for easy alignment
- ◆ Low loading height for ease of use
- ◆ Full 12 months warranty

Choose your Indicator from:

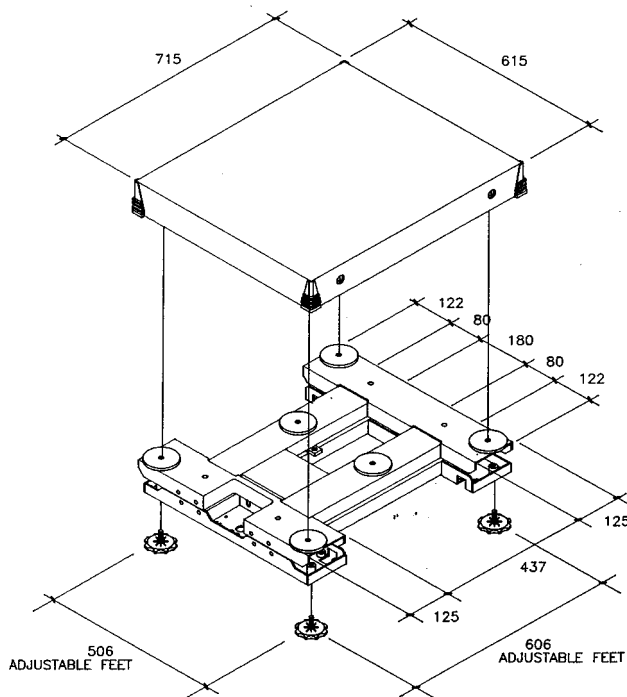
- AD-4322 - Check weighing
- AD-4323 - Single ingredient batching
- AD-4324 - In line check weighing
- AD-4325 - Multi ingredient batching
- AD-4326 - Battery powered weighing
- AD-4327 - Waterproof static weighing
- AD-4328 - Check weighing or batching
- AD-4401 - High speed batching
- HW-D - Static weighing

A&D Mercury provides a choice of indicators to suit any application. Many have NSC approval and can be used for trade.

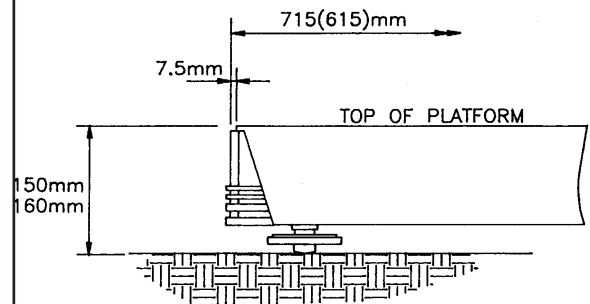
...Clearly a Better Value

Dimensions

All dimensions in mm



Levelling leg adjustment range



A&D

A&D MERCURY PTY. LTD.
ACN 007 556 809

Head Office
32 Dew Street
THEBARTON
South Australia 5031
Telephone (08) 8352 3033
Facsimile (08) 8352 7409

Victorian Office
Unit 4
Cnr. Arden & Lloyd Streets
KENSINGTON
Victoria 3031
Telephone (03) 9372 1522
Facsimile (03) 9372 1193

New South Wales Office
Unit 4
14 Abbott Road
SEVEN HILLS
New South Wales 2147
Telephone (02) 9674 5466
Facsimile (02) 9674 2544

Email: sales@andmercury.com.au
Internet page: <http://www.andmercury.com.au>

Your Dealer