

AD-4541-V/I

Ultra-slim analog signal conditioner



The AD-4541-V and AD-4541-I analog signal conditioners can convert the signal received from a bridge type sensor such as a load cell, pressure sensor, strain gauge, etc. to a voltage output (AD-4541-V / -2V to +2V) or a current output (AD-4541-I / 4-20mA).

AND ...Clearly a Better Value
A&D MERCURY PTY. LTD.

<http://www.andmercury.com.au>

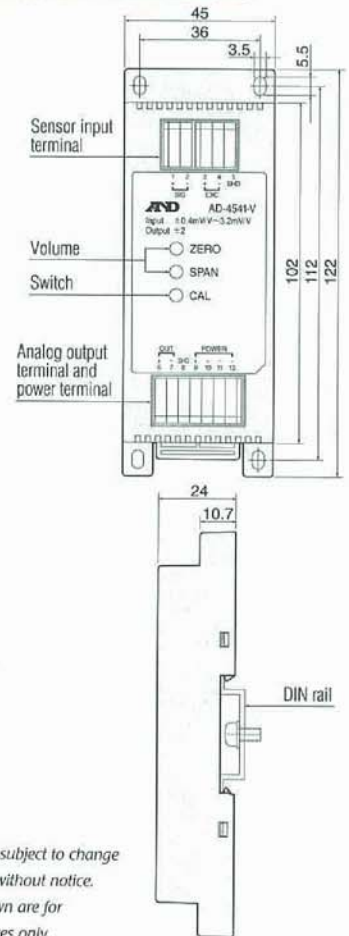
AD-4541-V/1 ULTRA-SLIM ANALOG SIGNAL CONDITIONER

- Ultra-slim, lightweight and easy-to-install.
- Calibration can be performed with the ZERO / SPAN volume controls or the CAL switch.
- Provides a wide-range zero adjustment ($\pm 0.5\text{mV/V}$) / span adjustment ($0.4\sim 3.2\text{mV/V}$) for use with various bridge type sensors.
- No crimping terminal is necessary because a spring clamp terminal block is used for easy wiring.

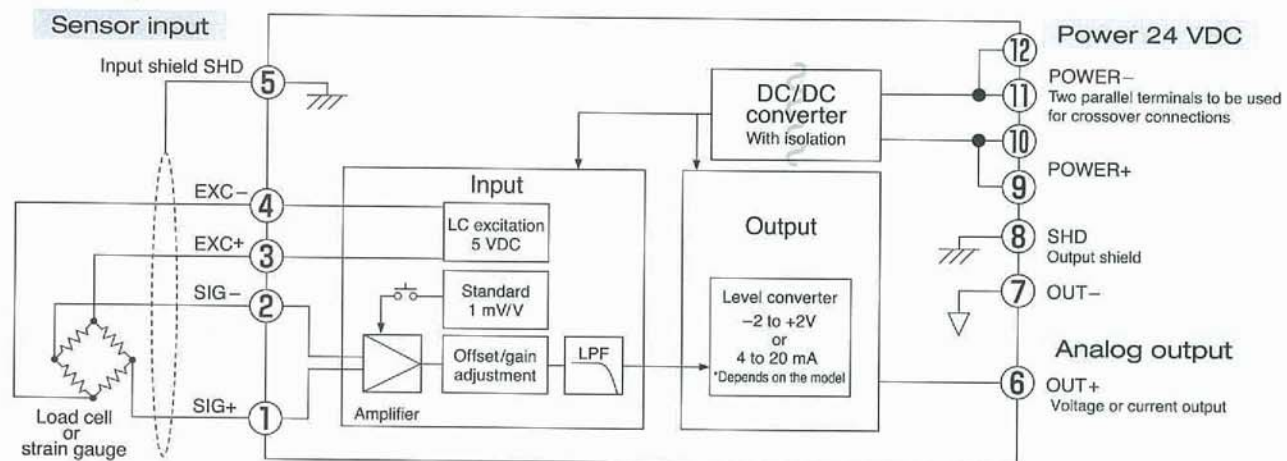
Specifications

Category	Item	Description
Input	Input range	-3.2 mV/V to $+3.2\text{ mV/V}$
	Zero adjustment range	-0.5 mV/V to $+0.5\text{ mV/V}$
	Span adjustment range	0.4 mV/V to 3.2 mV/V
	Non-linearity	0.05% of F.S. typ.
	Load cell excitation	5 VDC 60 mA max. (Can be used with one 120W load cell or a maximum of four 350W load cells)
	Zero temperature coefficient	$2\text{mV}/^\circ\text{C}$ RTI typ.
	Span temperature coefficient	200ppm/ $^\circ\text{C}$ typ.
	Frequency response	DC to 2 Hz(-3dB)
	Response	Approx. 190 ms (0% to 90%)
	Input noise	2mVp-p RTI typ. frequency range 0.1Hz to 10Hz
	Calibration standard	$1\text{mV/V} \pm 0.2\%$ typ.
	Output	Voltage output (AD-4541-V)
Current output (AD-4541-I)		4 mA to 20 mA (Load 250W or lower)
Power	Voltage	24 VDC $+10\%\sim 15\%$
	Current	100 mA max (Approx. 2.4W)
General	Operating temperature	-5°C to $+50^\circ\text{C}$
	Operating humidity	85%RH or lower (No condensation)
	Storage temperature	-20°C to $+70^\circ\text{C}$
	External dimensions	45W x 122H x 24D mm
	Mass	Approx. 90 g
Others	Terminal	Spring clamp type Wire 0.08 mm ² to 1.5 mm ² (AWG 28-14) Maximum outer diameter 3.4 mm
	Installation	DIN rail or screw
	Material (Body)	PBT (V0)
	Isolation	Input output to power supply
	Insulation resistance	500 VDC for 1 min
	Accessories	Flathead screwdriver 1 pc, Instruction manual 1 pc

External dimensions



Block Diagram



AND
...Clearly a Better Value

A&D MERCURY PTY. LTD.
ACN 007 556 809

Head Office
32 Dew Street
THEBARTON
South Australia 5031
Telephone (08) 8301 8100
Facsimile (08) 8352 7409

Victorian Office
Unit 4, 313 Arden Street
KENSINGTON
Victoria 3031
Telephone (03) 9372 1522
Facsimile (03) 9372 1193

New South Wales Office
Unit 4, 14 Abbott Road
SEVEN HILLS
New South Wales 2147
Telephone (02) 9674 5466
Facsimile (02) 9674 2544

Email: salesinquiry@andmercury.com.au
Internet page: <http://www.andmercury.com.au>

Your Dealer