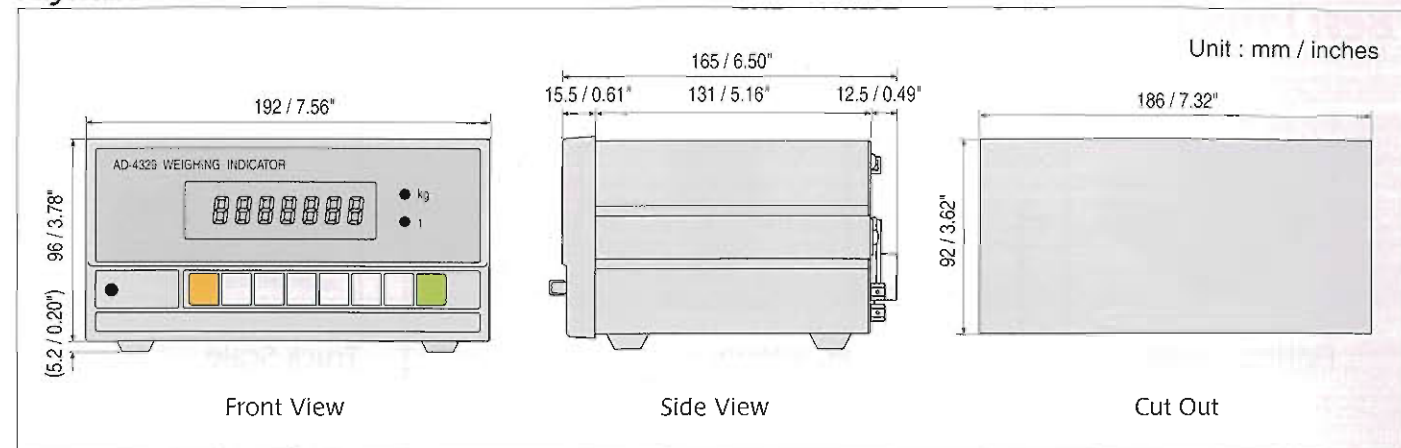


AD-4329

Weighing Indicator

Physical Dimensions



Specifications

Input Sensitivity	0.2μV/d (Min.)	Keys	STANDBY/OPERATE, NET/GROSS, PRESET TARE, TARE, ZERO, M+, MODE, PRINT
Input Signal Range	-1mV to +15mV	Power Supply	100 to 240V AC (to be switched on voltage request), 45 to 65Hz, 30VA
Load Cell Excitation	5V DC ±5%	Net Weight	Approximately 1.8 kg / 4.0 lb
Load Cell Drive Capacity	Up to 8 units of load cell at 350Ω (120mA)	Dimensions	192(W) × 96(H) × 165(D) mm (compliance with DIN)
Zero Temperature Coefficient	±(0.2μV+8ppm of dead load)/°C (typ)	Panel Cut Out Dimensions	186(W) × 92(H) mm
Span temperature Coefficient	±8ppm/°C of reading (typ)	Operating Temperature	-10 °C to 40 °C (14 °F to 104 °F)
Non-Linearity	0.01% of full scale	Storage Temperature	-10 °C to 70 °C (14 °F to 158 °F)
Maximum Input Noise	Less than 0.4μVp-p	Options	AD-4329-02 — Comparator output (Relay output)
Input Impedance	10MΩ or more	Standard accessories	•AC cable (2 meters) •External input plug •Load cell input plug •Rubber-foot (4 pcs) •Capacity sticker •Current loop output plug
A/D Conversion method	Integrating dual slope type		
A/D Internal Resolution	40,000 counts		
Maximum display resolution	20,000 counts (maximum)		
A/D Conversion rate	Approximately 10 times/sec.		
Weight Display	Vacuum Fluorescent Display, 7-digit, 7-segment, 13mm (character height)		
Annunciator	Stable, Zero Point, Gross, Net, Tare, Accumulation, kg/l or lb		



Weighing Platform SB Series

Splash and Dust Proof, equivalent to IP-65.

Model	Capacity (kg/lb)	Pan size (mm/inches)	Net weight (kg/lb)
SB-15K10-EX	15/30	250 × 250/9.8 × 9.8	4.5/9.9
SB-60K11-EX	60/150	330 × 424/13.0 × 16.7	8.0/17.6
SB-100K12-EX	100/200	390 × 530/15.4 × 20.9	14.0/30.8
SB-200K12-EX	220/500	390 × 530/15.4 × 20.9	14.0/30.8

Rated output 1mV/V ± 10%

Specifications subject to change for improvement without notice.

AND

...Clearly a Better Value

A&D Company, Limited
3-23-14 Higashi-Ikebukuro, Toshima-ku, Tokyo 170-0013 JAPAN
Telephone: [81] (3) 5391-6132 Fax: [81] (3) 5391-6148
http://www.aandd.co.jp

A&D ENGINEERING, INC.
1555, McCandless Drive, Milpitas, CA. 95035 U.S.A.
Telephone: [1] (408) 263-5333 Fax: [1] (408) 263-0119

A&D MERCURY PTY. LTD.
32 Dew Street, Thebarton, South Australia 5031 AUSTRALIA
Telephone: [61] (8) 8352-3033 Fax: [61] (8) 8352-7409

A&D INSTRUMENTS LTD.
Unit 24/26 Blacklands Way Abingdon Business Park,
Abingdon, Oxon OX14 1DY United Kingdom
Telephone: [44] (1235) 550420 Fax: [44] (1235) 550485

<German Sales Office>
Berner Straße 64, D-60437 Frankfurt/Main 50 GERMANY
Telephone: [49] (69) 507 1017 Fax: [49] (69) 507-2054

A&D KOREA Limited
Manhattan Bldg. 8F, 36-2 Yoido-dong, Youngdeungpo-gu, Seoul, KOREA
Telephone: [82] (2) 780-4101 Fax: [82] (2) 782-4280

* ADC-AD4329-010803-02K02

AD-4329

Weighing Indicator



Meets your needs to
expand your business today!



AND

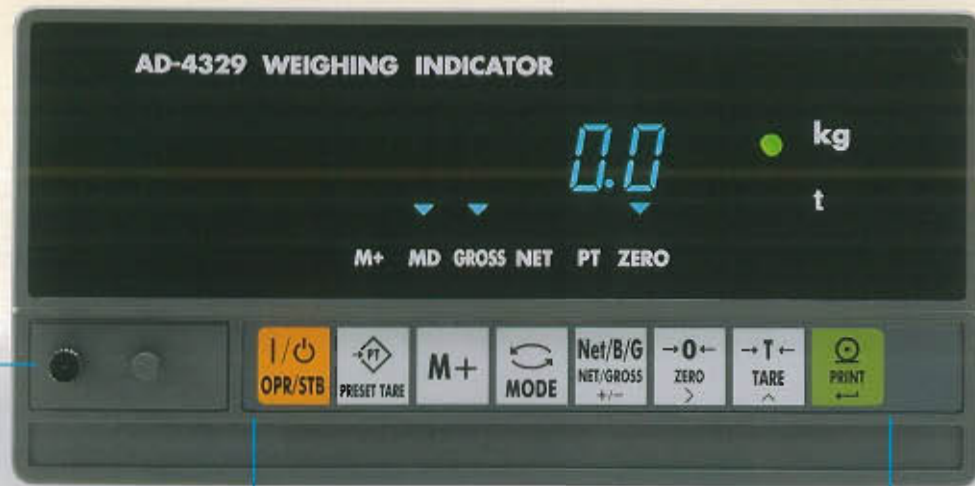
...Clearly a Better Value

A&D Company, Limited
www.aandd.co.jp

AD-4329

Weighing Indicator

- ★ Standard RS-232C Interface
- ★ 4-Point digital linearization across the full span
- ★ Triple ranges on weighing capacity are available
- ★ Comparator output to an optional relay
- ★ Vacuum fluorescent display



CAL
Hidden behind the cover on the front panel. Enter the calibration mode/Enter the CF functions settings.

Keys

OPR/STB — Turns display On/Off. The load cell is still powered when the display is off.

PRESET TARE — Sets the preset tare weight.

M+ — Accumulates the displayed weighing value.

MODE — Displays and clears the accumulated weighing values. Used in calibration.

NET/B/G NET GROSS — Switches between net and gross weights.

0 ZERO — Sets the zero point.

T TARE — Subtracts the tare weight.

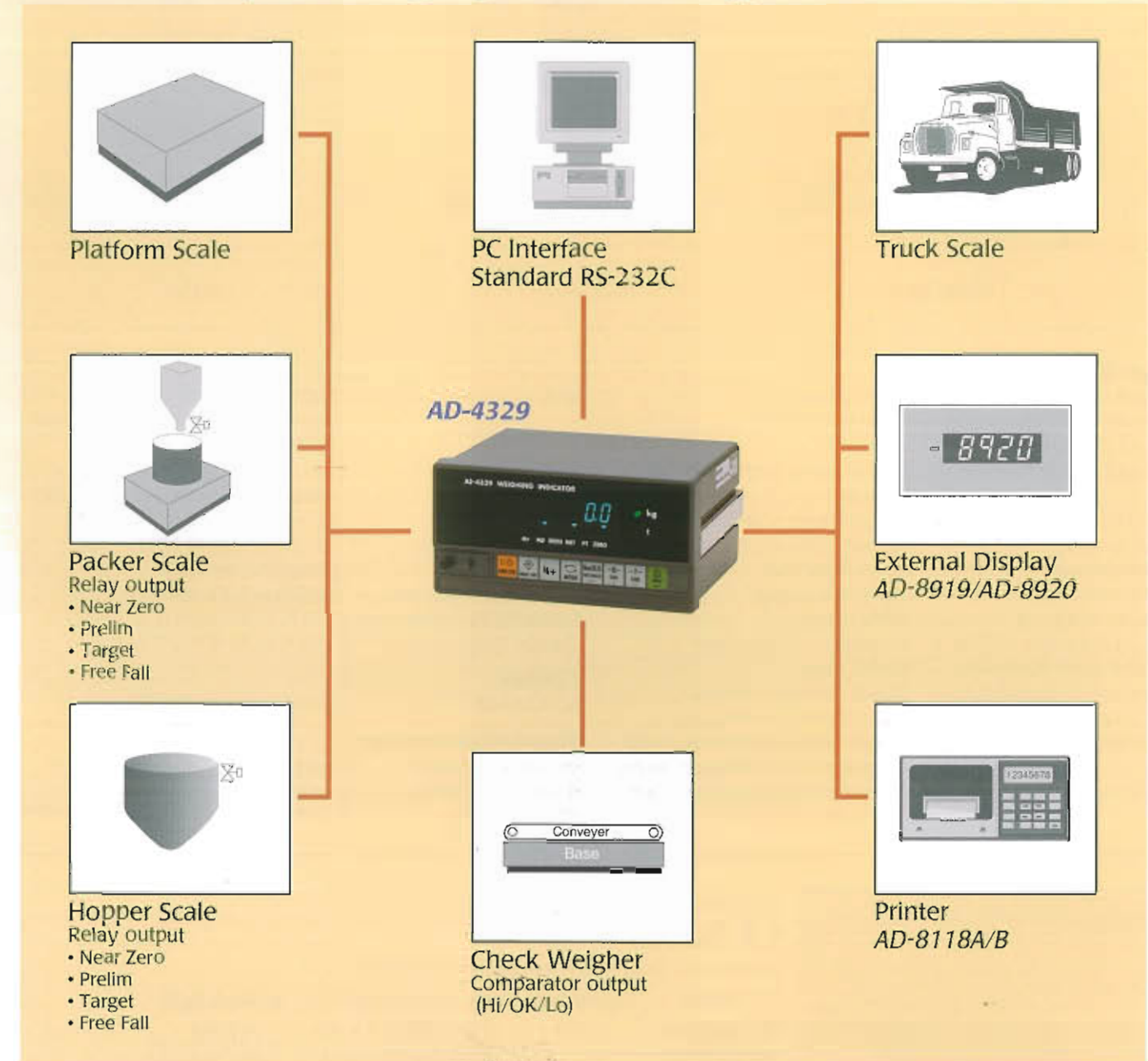
PRINT — Outputs data to a peripheral device such as a printer. Save parameters in the Function settings.

The AD-4329 is your best choice for a variety of applications such as platform scale, packer scale, hopper scale, check-weigher and truck scale.

- Vacuum fluorescent display.
- Accumulative data is stored into memory automatically or manually.
- Comparator output (Hi/OK/Lo) to optional relays.
- Set-point comparison for batching applications. (Near Zero/Prelim/Target/Free Fall)
- Selectable weighing ranges.(up to triple ranges)
- Standard RS-232C.
- 4-point digital linearization.
- 1/20,000 displayed count resolution.(maximum)
- Powers up to 8 units of load cells at 350Ω.
- Averaging time and width can be selected for various applications.
- RFI/EMI protected.
- Meets OIML Class III specifications.
- Mount on panel, column or desk top.
- Enters predetermined tare weight from keypad.
- Can be controlled via external input.

Your Best Solution

Best Price Performance for your various applications



Rear Panel View

- ① Standard RS-232C Interface
- ② Optional comparator output (AD-4329-02)
- ③ External control input
- ④ Standard current loop output
- ⑤ Load cell connector

